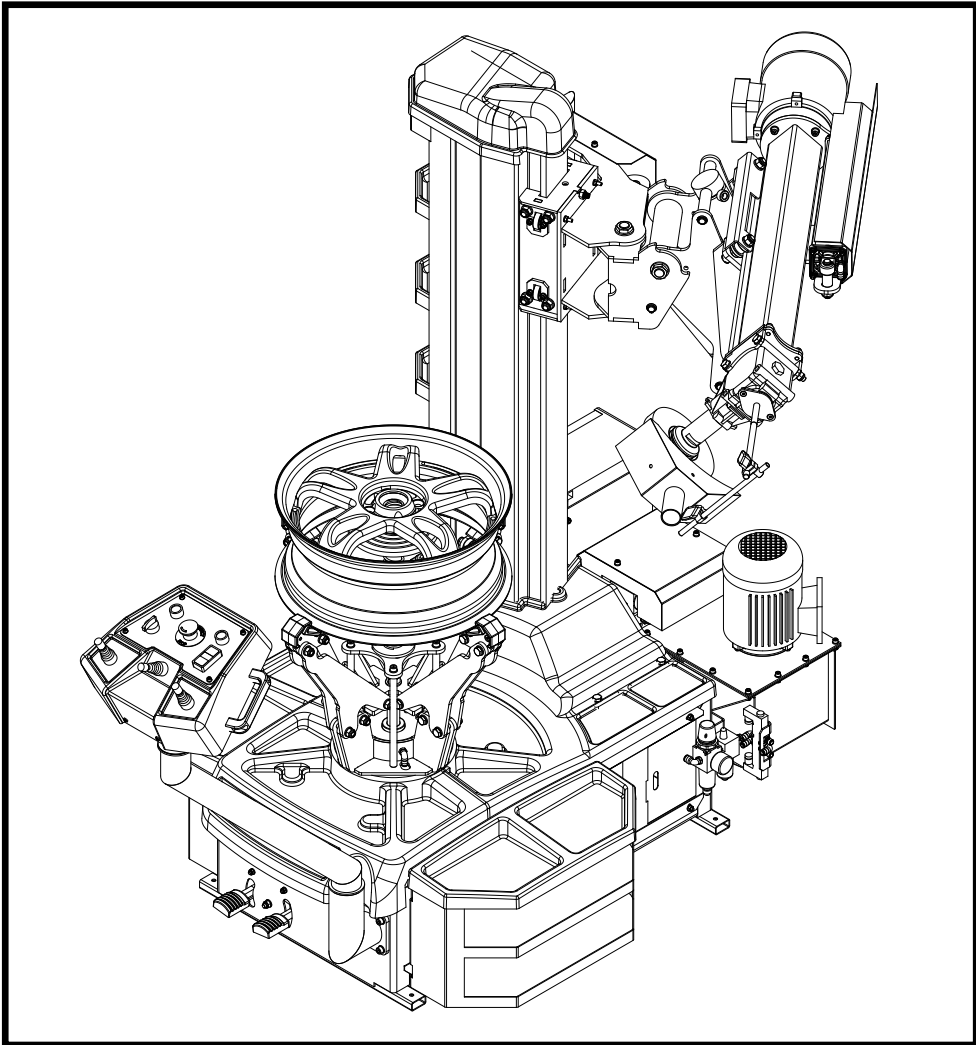




*English*

**INSTRUCTIONS BOOKLET**



**FULL AUTOMATIC RIM POLISHING  
AND CLEANING MACHINE**

**POLISH-CLN**

## ATTENTION

- Please read this document carefully.
- The information which given this document is necessity for safely working and maintenance.
- Please keep this document for the possible further problems.

### THIS MACHINE

Is designed for automatic tire changing operation. Please use only for this aim. Using for other works is wrong using and we have any responsibility for wrong usinig and their results.

### IMPORTANT NOTICE

**THIS MACHINE MUST BEEN USE BY THE EDUCATED PERSONAL ONLY.**

### INDEX

	<u>page</u>
1. General Informations, Index .....	2
2. Technical Characteristics .....	2
3. Machine Parts .....	3
4. Importants Warnings, Safety .....	4-5
5. Operations and Usage.....	6-7
6. Electricity Diagram.....	8-9
7. Packing, Transport, Stocking .....	10
8. Assembly of the Machine and Setup .....	10
9. Maintenance .....	11
10. Oiling Periods and Guarantee .....	12
11. Standard Accessories and Supplies .....	13-14-15

### TECHNICAL CHARACTERISTICS

#### SIZE :

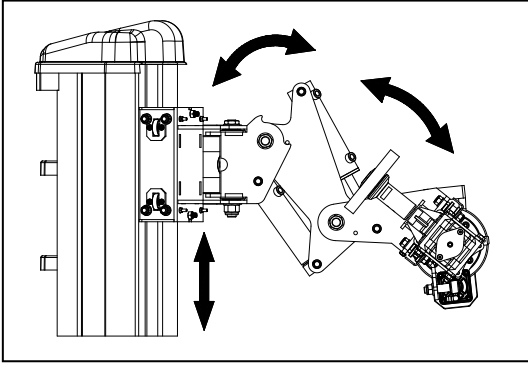
Height .....1850 mm  
 Width .....1620 mm  
 Length ..... 1670 mm

ELECTRIC MOTOR			
POWER	POWER	POWER	POWER
<input type="checkbox"/> 0,75 kw	<input type="checkbox"/> 0,75 kw	<input type="checkbox"/> 0,75 kw	<input type="checkbox"/> 0,75 kw
<input type="checkbox"/> 1,1 kw	<input type="checkbox"/> 1,1 kw	<input type="checkbox"/> 1,1 kw	<input type="checkbox"/> 1,1 kw
REVOLUTION		REVOLUTION	REVOLUTION
VOLUME RANK		VOLUME RANK	

Net Weight.....390 Kg  
 Rim Size ..... 12" – 28"  
 Rim Holding Flange..... Pneumatic  
 Cradle and Support Group ..... Hydraulic  
 Maximum Working Pressure..... 8 bar

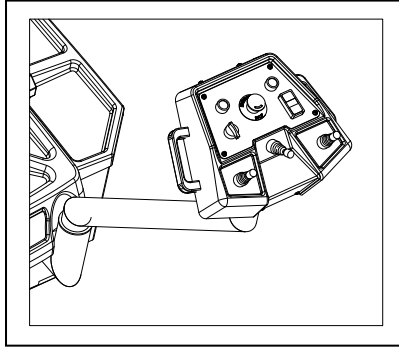
**ATEK MAKİNA Service & Garage Equipments**  
 Turgut Özal Cad Hastane Mah. No:27 34880 Hadımköy - İST/TR  
 Tel : +90 212 771 34 69 Head Office Tel/Fax : +90 212 444 21 31  
[http // www.atemakina.com](http://www.atemakina.com) e-mail: atek@atemakina.com

## PARTS OF THE MACHINE



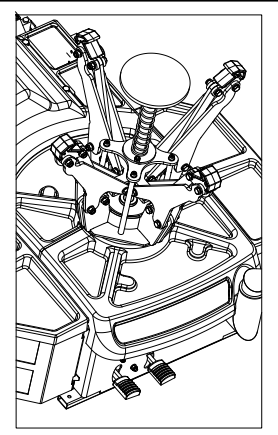
### CRADLE AND SUPPORT GROUP

During the Rim Polishing It provides to touch the brush easily whole surface of the rim.



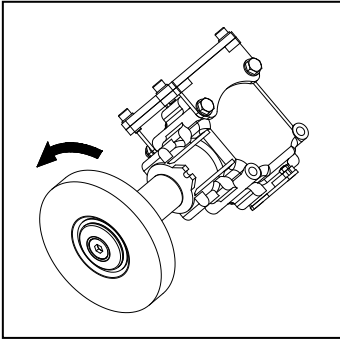
### COMMAND GROUP

During the Operation It makes you direct the machine.



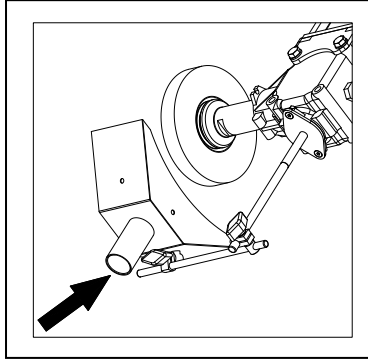
### MIRROR

It provides you to fix the 12"-28" Rims easily via tightening by help of outside&inside clamping arms and pedals



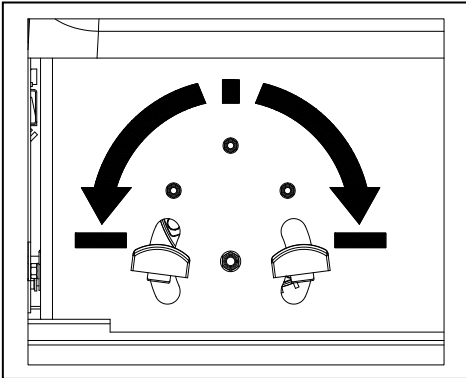
### RIM POLISHING GROUP

During the Rim Polishing After connecting suitable brush to required parts you can continue the operation easily



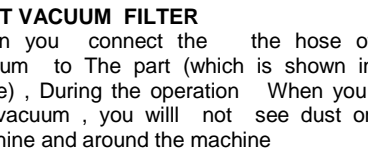
### DUST VACUUM FILTER

When you connect the the hose of the vacuum to The part (which is shown in the figure) , During the operation When you start the vacuum , you will not see dust on the machine and around the machine



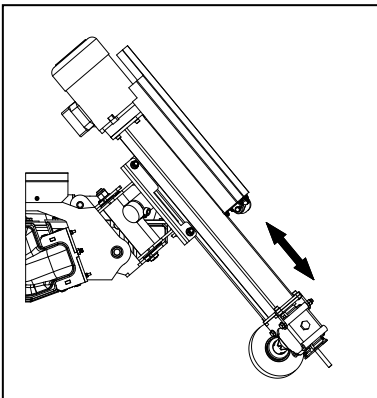
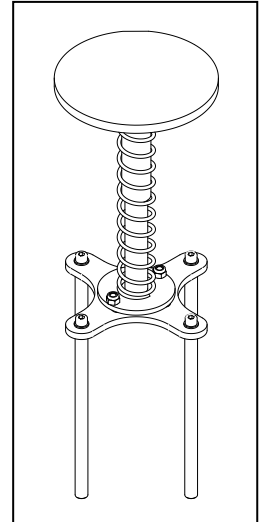
### PEDAL SİSTEMİ

Jant sıkma işlemini yaparken aynayı açıp kapatmanızı sağlar.



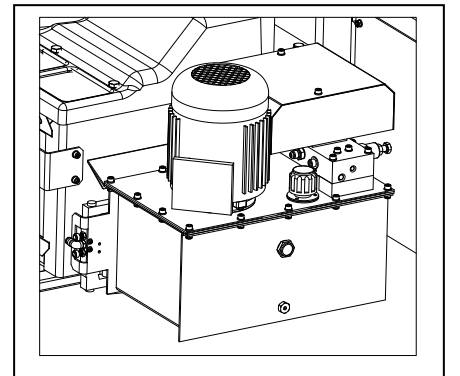
### BALANCER GROUP

During the Rim Tightening operation It provides the rim to center the mirror easily and makes clamps clutch the rim easily.



### PEDAL GROUP

Hydraulic Power unit was fixed on the main body by connecting screw .It works suitably to well known standart hydraulic principles ,It provides all movements of units of the machine ,It pumps the hydraulic oil to hydraulic cylinder. It consists of Hydraulic Pump mechanism &Electric Motor (it takes its power from it)



### HORIZONTAL CRADLE GROUP (PNEUMATIC)

During the operation It provides the brush to go forward and back

## IMPORTANT NOTICES

### WARNING

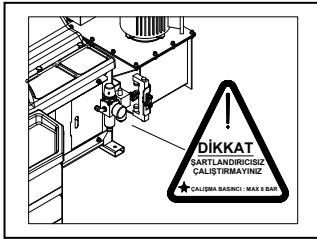
This instructions booklet has been prepared for the service stuffs and personal whom doing periodical maintenance.

This instructions booklet contains important information about ;

- **SERVICE STUFFS SAFETY**
- **MACHINE LIFE**

For the reason please save this handbook with machine.

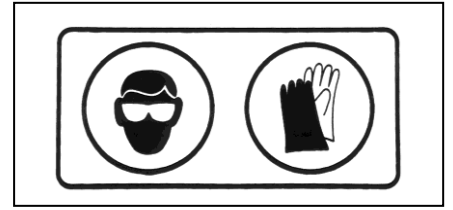
## SAFETY WARNINGS



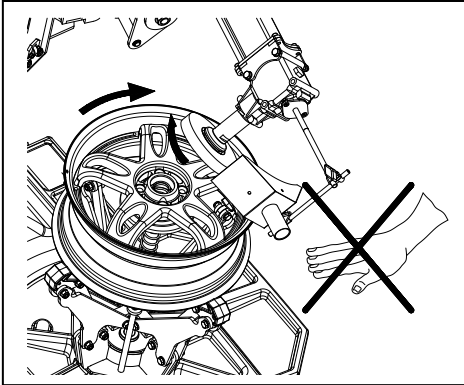
The operating pressure value is max. 8 bar.



Read the manual absolutely before the operating the machine.

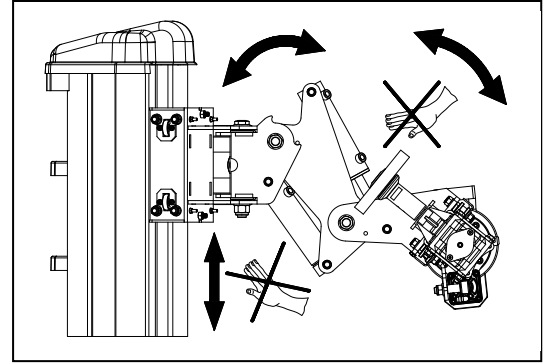


Don't use your machine without glasses and gloves.



When you are making operation on the rim , Do not put your hands between Brush and Rim

TAKE CARE THAT THE VOLTAGE OF THE NETWORK OF THE ELECTRICITY. IT MUST BE SAME VOLTAGE VALUE INDICATED ON THE MACHINE LABEL.



While the Machine is working , Do not put your hands on moving parts.

### ATTENTION

When you have to open the Electric panel , Make sure that you stop connection of electric network.

## SAFETY WARNINGS

- Take care that the voltage of the network of electricity. it must be same voltage value indicated on the machine label.
- Have an electricity technician install the thermal switch before the electric socket according to the type of the electric motor on the machine.
- Read the manual absolutely before the operating the machine.
- Don't hold the hexagonal shaft of your machine.
- Don't use your machine without glasses and gloves.
- Don't permit the use your machine by the uneducated personal.
- Keep far your hands when machine is working.
- Make sure that do not open the Electric panel cover ; It can cause accident and it can spoil the machine settings because There is High Voltage and moving mechanical parts in the machine If it is urgent , Do call Technical service
- During the Rim Polishing Do not put your hands Between Rim and Brush
- While making operation on the mirror , Do not put your hands between Rim Clamping Arm and the Rim
- While you are working on the flange don't put your hands between the dismantling foot and rim.
- While you are dismantling the tyres, don't insert your hand between the dismantling foot and rim.
- While you are working with the machine, if you heard any abnormal noise, please call the technical service.
- Protect the electric connection of the machine from physical and chemical damages. don't pass upper the cable with any vehicle like forklift or tyred jack.
- Don't use the damaged cable because of any reason. change the cable immediately.
- Please keep your machine clean continuously.
- When you clean or maintain the machine don't use the pressured air, water, conductive or semi-conductive cleaning materials. protect your machine from moisture and don't run the machine when the machine wet.
- Your machine was designed for tyre changing. don't use for the machine for the other purposes and don't use the machine with other equipments except the supplied with the machine.
- Don't change the factory settings and don't use non-original parts.

# OPERATIONS AND USAGE



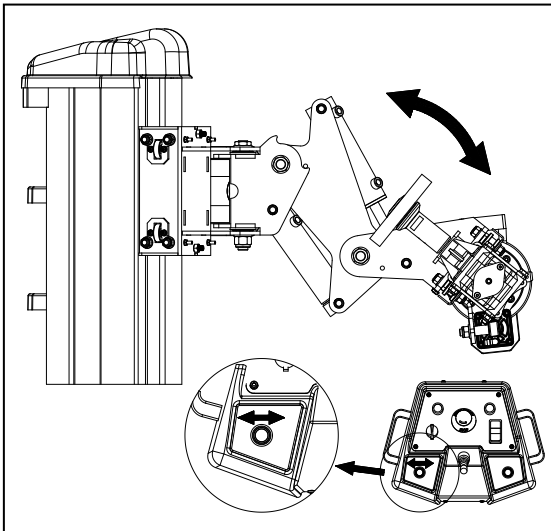
## 1 – FASTENING RIM

- Do place the Rim on the centering Balancer of the Mirror
- Press on the Rim tightening Pedal which is showed with “OK” to make stable the rim



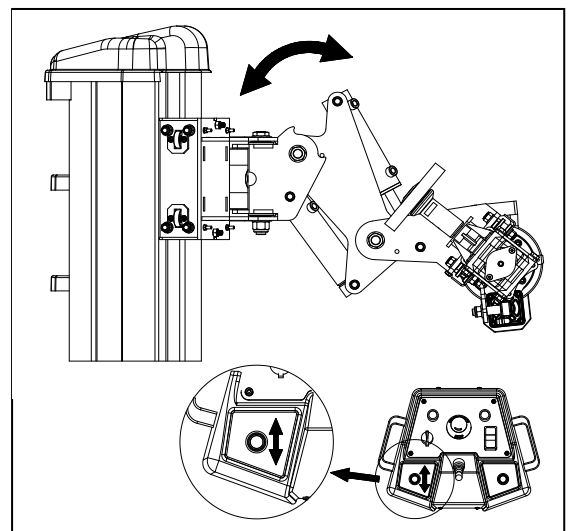
## 2 – BRUSH FASTENING

- Choose suitable brush which will be used on the rim and fasten it to suitable parts.



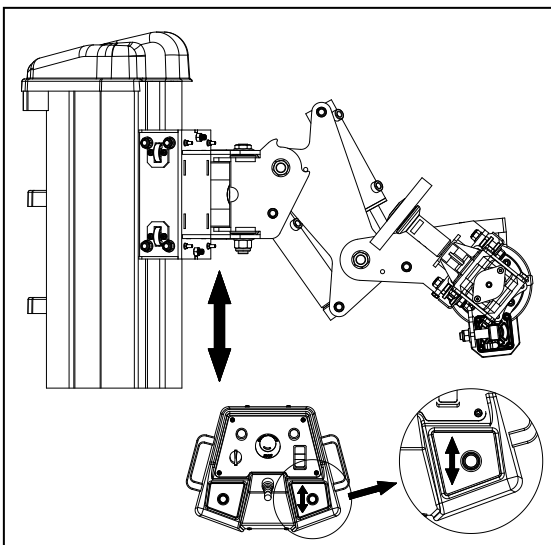
## 3 – HORIZONTAL CRADLE BEARING LINING

- Do push the joy stick which is showed on the figure to the right and left to make move Horizontal Cradle Bearing lining to down and up



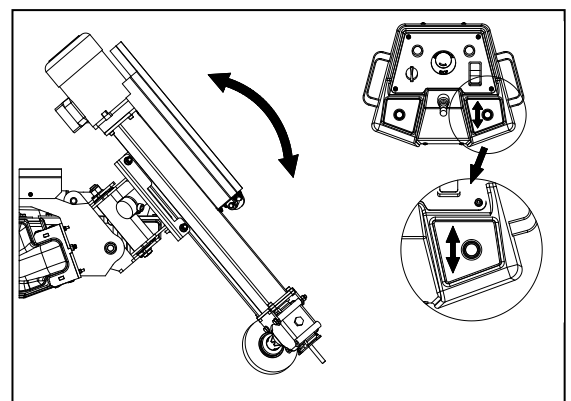
## 4 – GAP SUPPORT MOVEMENT

- Do push the joy stick which is showed on the figure to Down and up to make the movement of opening & closing of Gap Support Group



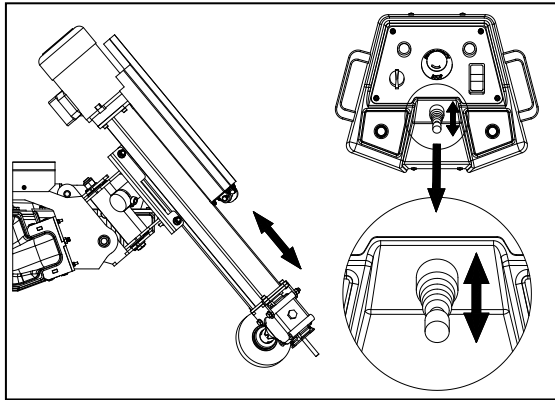
## 5 – VERTICAL CRADLE BODY GROUP

- Do Push the joy stick which is showed on the figure to down and up to make move Vertical Cradle Body to down and up.



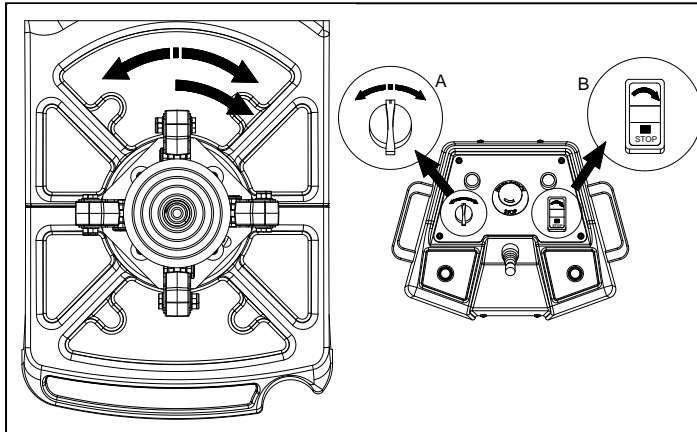
## 6 – MAIN SUPPORT BODY

- Do push the joy stick which is showed on the figure to the right and left to make turning of movement of Support body



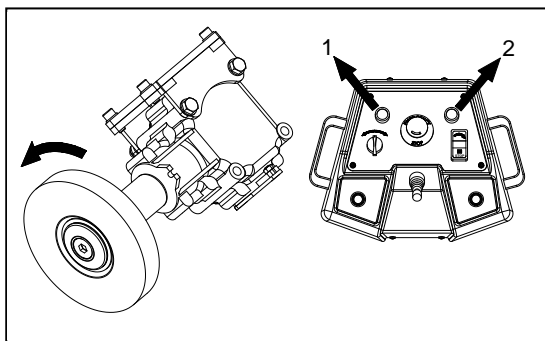
### 7 – HORIZONTAL CRADLE GROUP

— Do Move the joy stick forward and back which is showed on the figure to make move Horizontal Cradle Group forward and back.



### 8 – MIRROR ROTATION

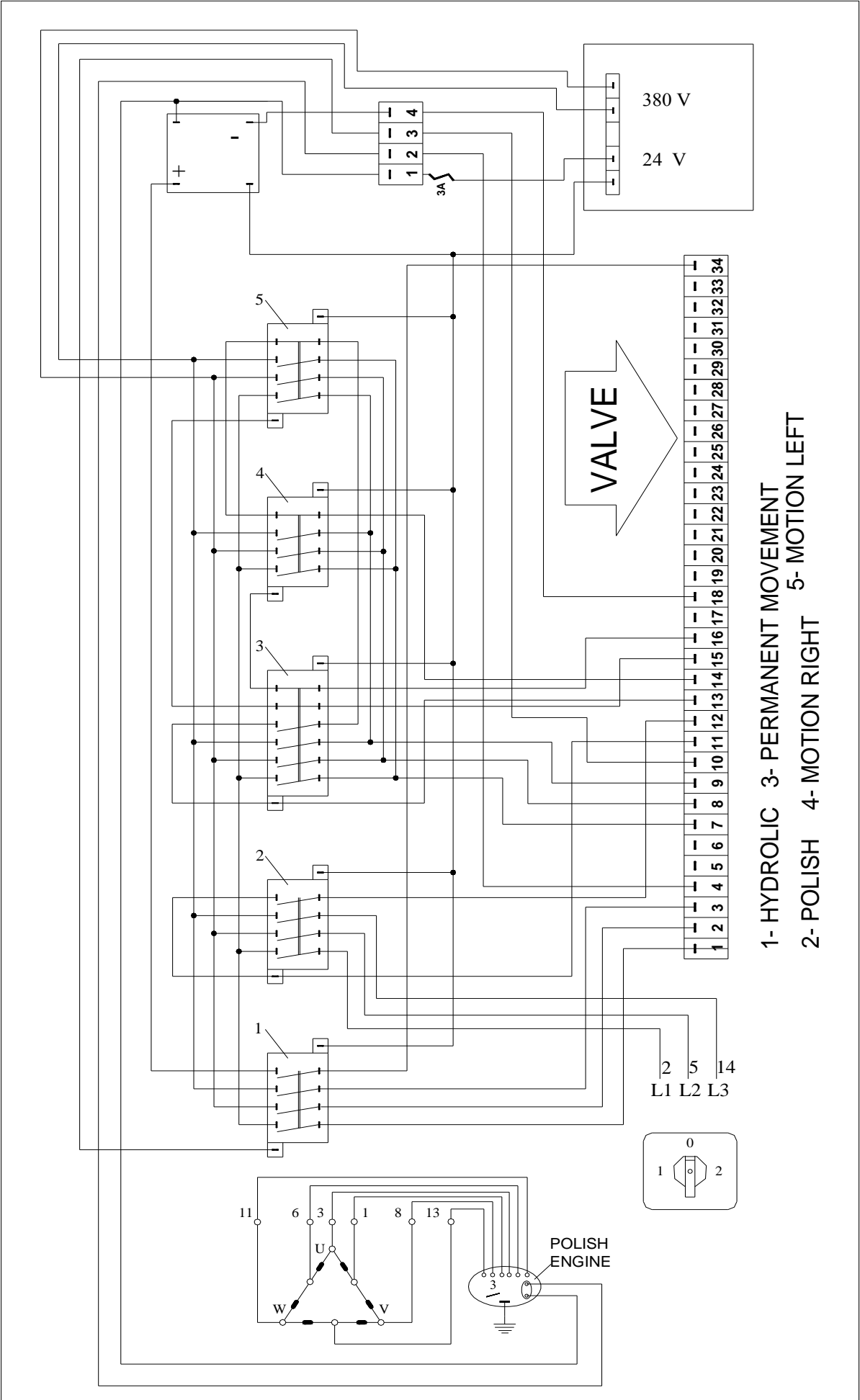
— If you require to make the rotation of the mirror manual ;Do turn the button with latch which is showed on the figure(A) to the direction where you require to turn the mirror  
 — If you require to make this rotation automatically at clockwise ;Do press the button which is showed on figure(B), If you require to stop it , do press on other side of the button .



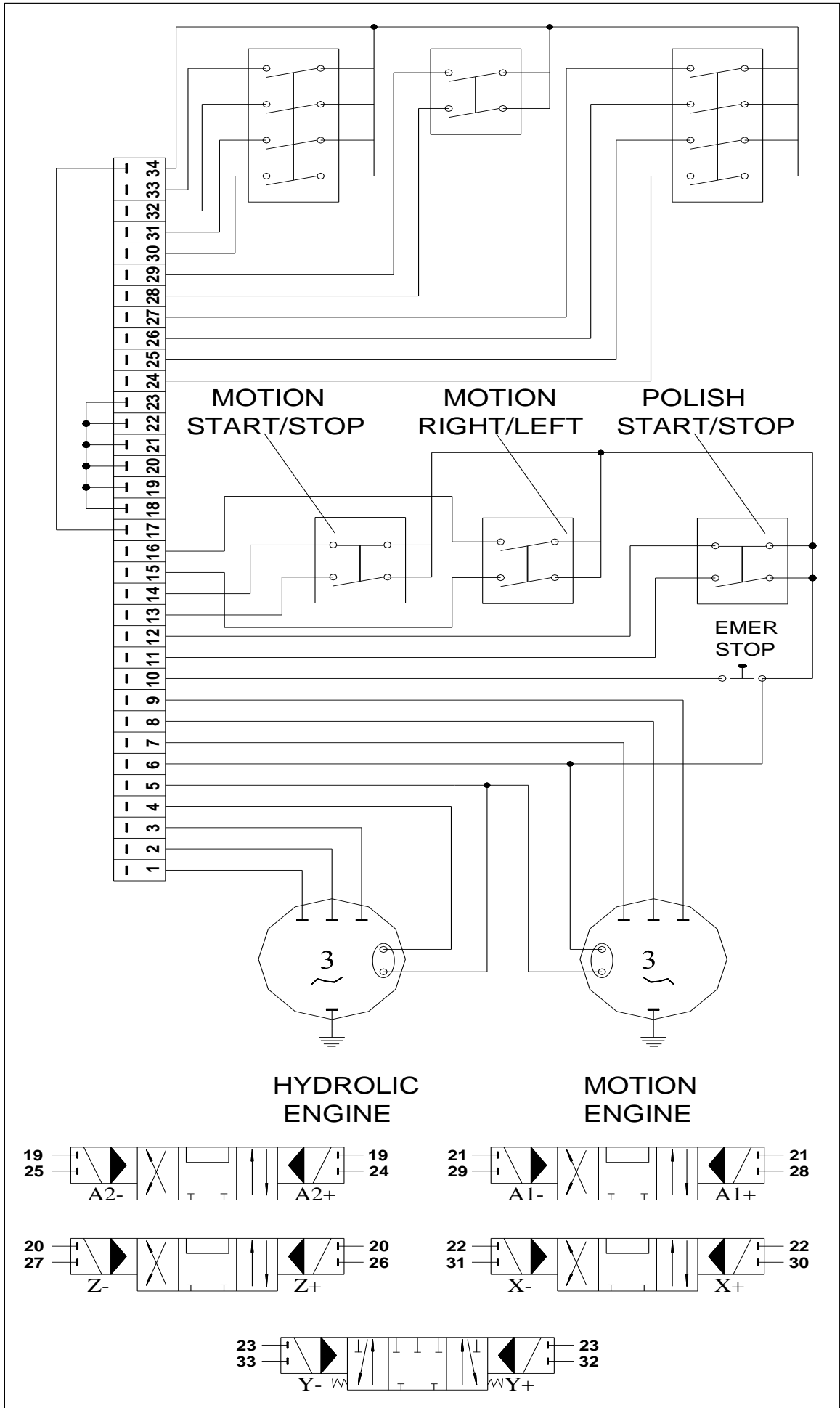
### 9 – ROTATION OF THE BRUSH

— Do Press Button No(1) which is showed on figure to rotate the brush , Do Press Button No(2) which is showed on the figure to stop the brush .

# ELEKTRICAL PLAN







## PACKING, TRANSPORT AND STORAGE

There is no responsibility of the manufacturer because of the accident and damage, which is happened the assembly without don't read the manual.

### PACKING

These machines has packed with the wooden cases on the pallet.

### LIFTING AND CARRYING

The machines must carry with the forklift or other similar carrier.

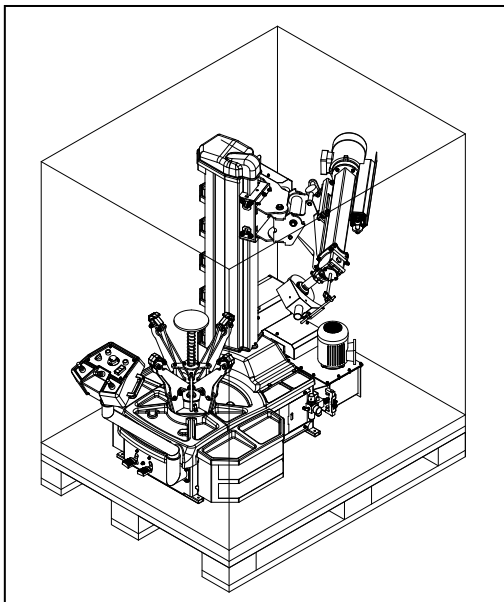
### STORAGE

Please storage the machine on the covered area between  $-10^{\circ}\text{C}$  and  $+40^{\circ}$  temperature. Please keep the packing from the direct sun lights and wet.

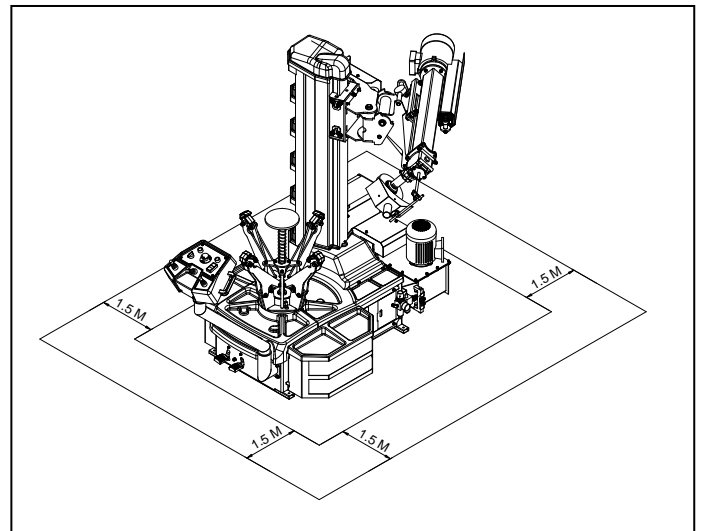
### STOWAGE

You can put only one machine upon the other machine.

## MACHINE ASSEMBLY AND SET UP



When you unpack the machine , please do check If the machine has got damaged or not during the transportation and please check If there is missing parts and equipment or not . During the unpacking Please pay attention to such as cutting materials Nail, Fiber, etc ....



While the Machine is working or not working , Except the operator no one should not be close to the machine more than 1,5 meter distance and There should be at least 1,5 meter working area around the machine to provide the operator work comfortably.

### **NOTE:**

- Do connect the suitable plug , The plug is should be three phase and it should be containing 4 connection and these are 3 phase + 1 neuter line
- After completing Electric line , The machine will be ready for using

## MAINTENANCE

### DAILY

- 1) Check the cable of the machine before the running.
- 2) Check the machine if the machine is clean and maintenance is completed.
- 3) Check the pneumatic cylinder against the air leakage.
- 4) Do check If there is oil leakage or not in Hydraulic cylinder and oil tank.

### WEEKLY

- 1) Check if the daily maintenance is done systematically.
- 2) Check if there is any air leakage on the cylinder of the bead lifting.
- 3) Check the adjustment of the bead lifting.
- 4) Check if there is any damage on the bead lifting arm.
- 5) Check if there is any problem on the switches and connection of the machine.
- 6) Check if there is any leakage on the air distributing system.
- 7) Check the air valves and hoses.
- 8) Do check If there is oil leakage or not in Hydraulic cylinder and oil tank

### MONTHLY

- 1) Check if the daily and weekly maintenances are done.
- 2) Check the machine pedals.
- 3) Check the foot is tightened the rim if there is any abnormal position.
- 4) Check if there is any damage on the bead lifting arm.
- 5) Check the belt of the motor.
- 6) Check the connection of the gearbox.
- 7) Check the motor connection bolts.

### 6 MONTHLY

- 1) Check the daily, weekly and monthly maintenance are done.
- 2) Check the bead lifting pedal if the pedal is working properly.
- 3) Check if there is any damage on the pulley of the dismantling and fixing arm.
- 4) Check if the plastics of the nails are spoiled or damaged.
- 5) Check if there is any connection problems on the cables and socket.
- 6) Check the earth connection of the machine electric system.
- 7) Check the adjustment of the dismantling and fixing arm.

### YEARLY

- 1) Check the daily, weekly, monthly and 6 monthly maintenance are done.
- 2) Are there any abnormal noises coming from the machine.
- 3) Are there any abnormal noises coming from the engine.
- 4) Are there any abnormal noises from the machine when the machine is not working but plugged.
- 5) Is there any heating in the cables.
- 6) Is there any abnormality in the engine during the operation.

If any answers of these questions are yes call the technical service immediately do not try to solve the problems by yourself.

## GUARANTEE

- MACHINES HAVE 1 YEARS GUARANTEED.
- PLEASE CONTACT WITH YOUR DEALER FOR THE PROBLEMS AND WHEN YOU NEED A SERVICE.  
\*\*\*OUR GUARANTEE DOESN'T CONTAIN ELECTRIC MOTOR.

### ATTENTION

PLEASE DON'T TRY TO REPAIR IF THE PERSONAL IS NOT OUR REGISTERED SERVICE MAN.

### FOR SPARE PARTS ORDER :

- PLEASE INFORM THE SERIAL NUMBER OF THE MACHINE AND MANUFACTURING YEAR.
- PLEASE INFORM THE PART CODE.
- PLEASE INFORM THE QUANTITIES.

STANDART ACCESSORIES AND CONSUMABLES FOR POLISH CLEAN MACHINE

1 CONNECTION ADAPTERS (STANDART ACCESSORY)

	A ) Main connection body
	B) Universal connection chuck
	C) Chuck connection screw
	D) 22 mm Long connection socket
	E) 22 mm Short connection socket
	F) 14 mm Connection socket
	G) 22 – 50 mm Adapter
	H) 22 – 32 mm Adapter
	I) 22 – 25 mm Adapter
	J) Right helical connection screw
	K) Left helical connection screw

2 WAX (CONSUMABLE)

	2-A ) Polishing wax
	2-B ) Sharp wax

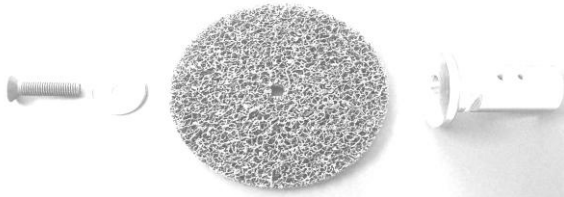
3 WIRE BRUSH (CONSUMABLE)

	Used to remove the rust and the paint on the rim surface
--	--

4 BLUE PAINT REMOVER (CONSUMABLE)

	Blue paint remover is used for cleaning the paint on the surface of the rim. also is used for the deep scratches on the aluminium rims.
--	--

5 BLACK PAINT REMOVER (CONSUMABLE)



Black paint remover is used to remove the paint on the steel and iron rims

6 COMBI MOP CARPET SANDER (CONSUMABLE)



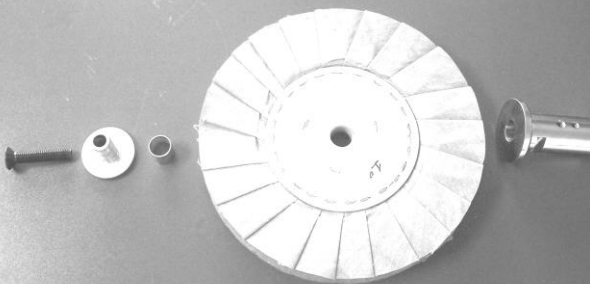
Combi mop is used for preparing the surface before finish

7 COMBI FLAP CARPET SANDER (CONSUMABLE)



Combi flap is used for preparing the surface before finish  
It makes the same job like combi mop but the reach points are different

8 FINISH COTTON CARPET (CONSUMABLE)



Finish cotton carpet is used for the finisg polishing after all the process is over.  
It is necessary to use the suitable wax according to the rim type

## **ATTENTION IMPORTANT NOTES :**

Consumables which are supplied with the machine are not under warranty

The consumables which are supplied with the machine are not enough to polish the rim

For a professional polishing it is needed to use many different consumables and to use the necessary consumables for different rim types

The standart accessories supplied with the machine may not be enough for you job.

The other sizes of adapters are optional. (please contact us)

To polish the surface wax is very necessary to use otherwise there may be some dark point on the surface because of burning.

Do not press to much on the surface of the rim to have a quick process this may burn the surface and may cause some dark point on the rim surface

While polishing the rim you have to use protective glasses and gloves because with the high temperature some sharp pieces may remove from the surface of the rim , protect yourself

Please use an industrial vacuum cleaner with a water tank to vacumm the removed particles from the rim surface

**ATTENTION !!!** Aluminium is highly flammable due to its structure so it is necessary to use a vacuum cleaner with a water tank. other wise there is a possibility of **FIRE**